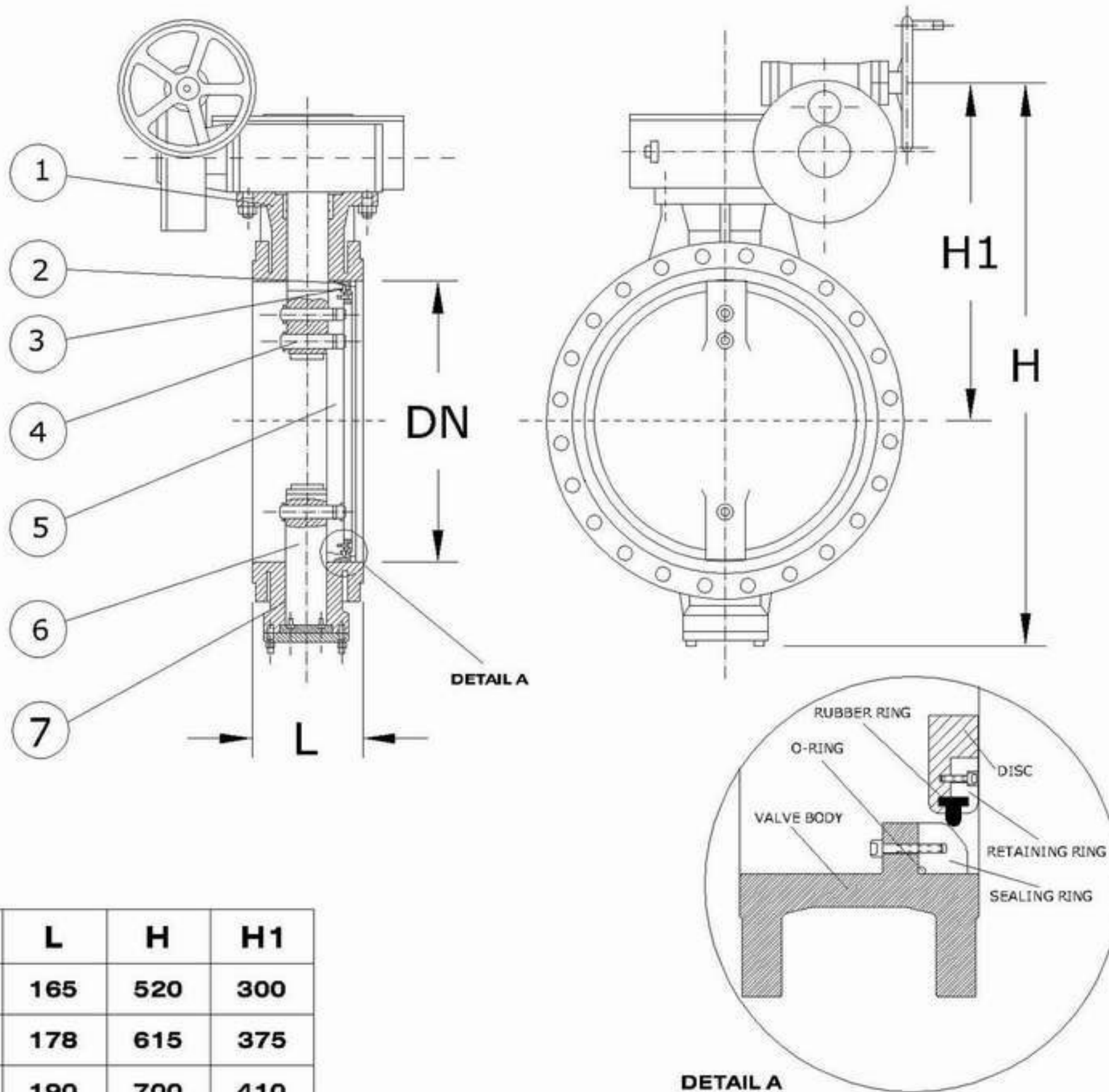


BUTTERFLY VALVES

DESCRIPTION :

EIC BUTTERFLY VALVES ARE OF THE DOUBLE ECCENTRIC TYPE .
 MANUAL, ELECTRIC OR PNUMATICALLY ACTUATED ARE SUITABLE FOR WATER AND SEWAGE WORKS .
 EIC BUTTERFLY VALVES ARE METAL TO RUBBER SEATED TO ENSURE PERFECT SEAL IN BOTH DIRECTIONS.
 THE RUBBER SEAL IS FITTED ON THE DISC WHICH I EASY TO REPLACE AND ADJUST IN SITE .
 SPINDLES MOVE ON LIFE LUBICANT BRONZE BEARINGS



DN	L	H	H1
250	165	520	300
300	178	615	375
350	190	700	410
400	216	775	460
500	229	940	560
600	267	1085	630
700	292	1210	695
800	318	1395	790
900	330	1540	865
1000	410	1740	1005
1200	470	2055	1175

ALL DIM IN MM

NO	Description	Material	Standards
1	Body	D.C.I GGG 50	ISO 1083
2	SEALING RING	Stainless Steel	ASTM GRADE 304
3	RUBBER GASKET	NBR-EPDM	BS 2494
4	FIXING PIN	Stainless Steel	ASTM GRADE 304
5	DISC	D.C.I GGG 50	ISO 1083
6	SPINDLE	Stainless Steel	ASTM GRADE 304
7	BEARING	BRONZE	BS 1400

WORKING PRESSURE :10/16 - 16/25 BAR.
 TESTING OF VALVES ACCORDING TO ISO 5208-1992 (E)
 SUITABLE FOR WATER WORKS AND SEWAGE SYSTEMS

FACE TO FACE DIM ACCORDING TO BS 5155 SHORT
 FLANGE CONNECTIONS ACCORDING TO ISO STANDARDS 2531
 SUPPLIED AS ELECTRICALLY AND PNEUMATICALLY ACTUATED