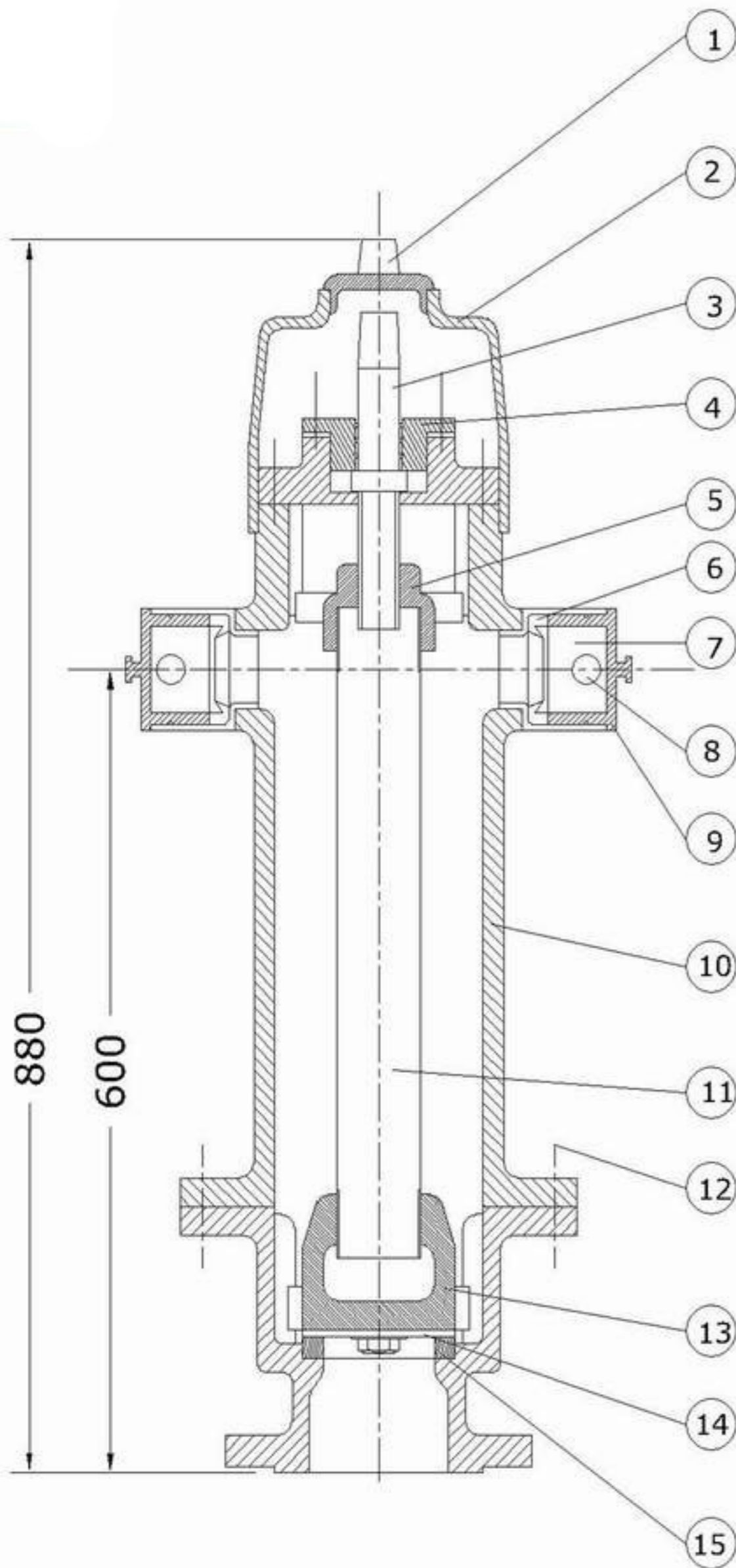


VERTICAL FIRE HYDRANT



NO	Description	Material	STANDARDS
1	Cap	Malleable Iron	ISO 5922
2	Hydrant Cover	G.C.I GG 25/ D.C.I GGG 50	ISO 185 / ISO 1083
3	Stem	Extruded Brass /ST.ST	1400
4	Gland	G.C.I GG 25/ D.C.I GGG 50	ISO 185 / ISO 1083
5	Nut	Bronze	1400
6	Coupling Seal	E P D M	BS 2494
7	2.5 Inch Morris Quick Coupling	Brass	BS 1400
8	Coupling Lock	Brass	BS 1400
9	Coupling Cover	Brass	BS 1400
10	Body	G.C.I GG 25/ D.C.I GGG 50	ISO 185 / ISO 1083
11	Pipe	Extra Coated Galvanized steel	BS 970
12	Bolts	Galvanized steel	BS 970
13	Sealing Head	Bronze	BS 1400
14	Seat	EPDM / NBR	BS 2494
15	Seal Ring	Bronze	BS 1400

HYDRANT CAN BE SUPPLIED IN 3 MODELS:-

- 1- SINGLE OUTLET - BRITISH INSTANTANEOUS COUPLES 2.5 INCH.
- 2- DOUBLE OUTLET - BRITISH INSTANTANEOUS COUPLES 2.5 INCH.
- 3-DOUBLE OUTLET - BRITISH INSTANTANEOUS COUPLES 2.5 INCH +4 INCH THREADED OUTLET.

BRITISH INSTANTANEOUS COUPLES 2.5 INCH.OUTLETS CAN BE SUBSTITUTED WITH MALE THREADED OUTLETS

COATING COLOUR : RED.

CAN BE SUPPLIED WITH EITHER 3 OR 4 INCH INLET.

Working Pressure :10-16 Bar.

Test Pressure : 1.5 Working Pressure.

FLANGE CONNECTIONS ACCORDING TO ISO STANDARDS 2531

ALL DIM IN MM