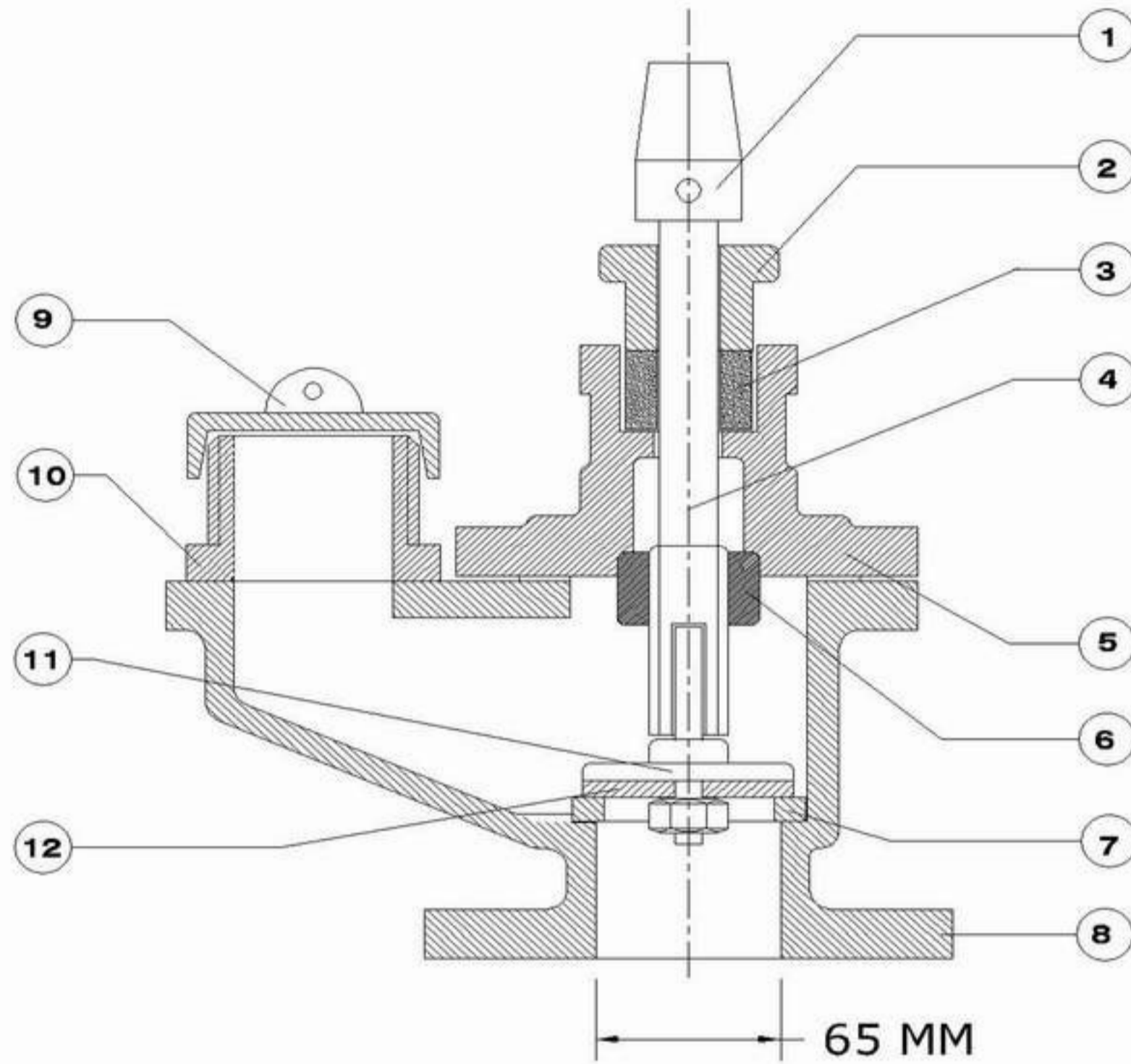


UNDER GROUND FIRE HYDRANT 2 3/4 INCH



NO	Description	Material	STANDARDS
1	Stem Head	G.C.I GG 25/D.C.I GGG 50	ISO 185 / ISO 1083
2	Gland	G.C.I GG 25/D.C.I GGG 50	ISO 185 / ISO 1083
3	Packing	N.B.R-E.P.D.M	Bs 2494
4	Stem	Brass_St.St	Bs 1400
5	Bonnet	G.C.I GG 25/D.C.I GGG 50	ISO 185 / ISO 1083
6	Nut	Bronze	Bs 1400
7	Seal Ring	Bronze	Bs 1400
8	Hydrant Body	G.C.I GG 25/D.C.I GGG 50	ISO 185 / ISO 1083
9	Outlet Gland Cover	Aluminum	ISO 3522
10	Outlet Gland	Bronze	Bs 1400
11	Seal Cover	Bronze	Bs 1400
12	Seal	N.B.R-E.P.D.M	Bs 2494

WORKING PRSSURE : 10/16 BAR

TEST PRESSURE : 1.5 WORKING PRESSURE