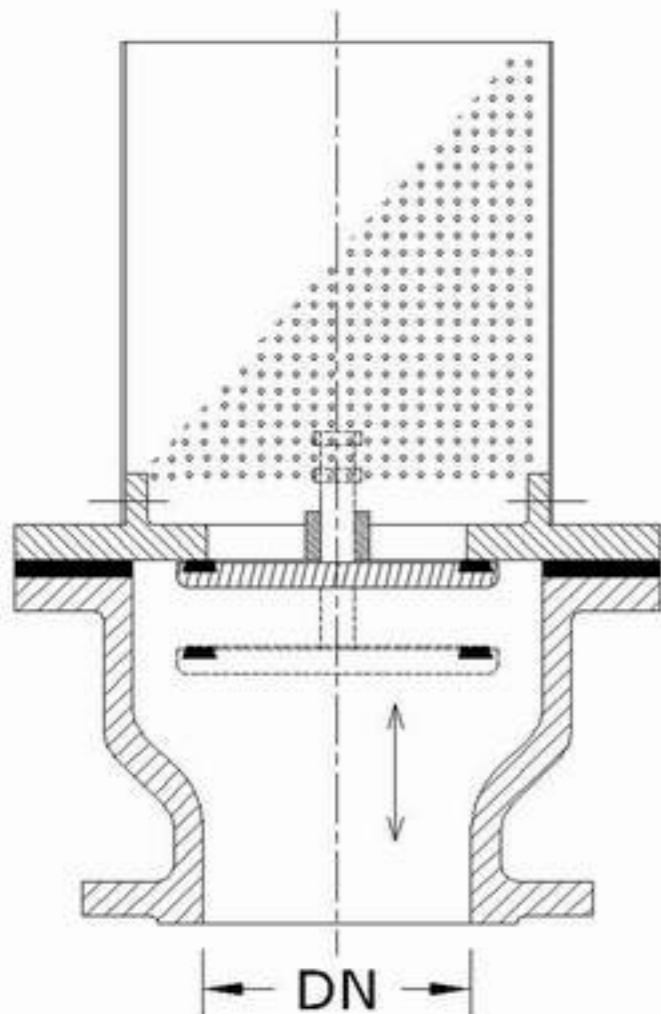
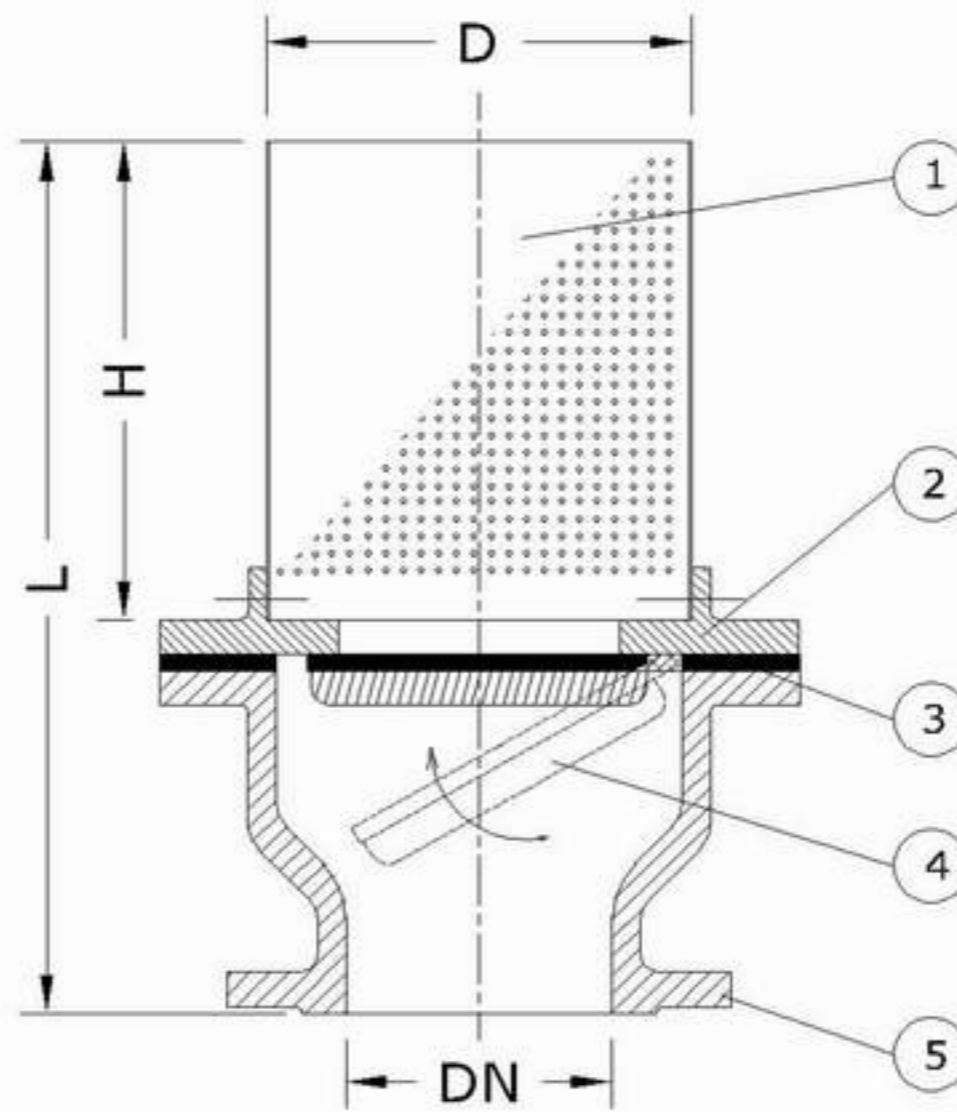


FOOT VALVE (SINGLE DOOR)



Axial type



Hinge type

NO	Description	Material	STANDARDS
1	Strainer	Galvanized Steel/Stainless Steel	BS 970 / ASTM GRADE 304
2	Strainer Flange	G.C.I GG 25/D.C.I GGG 50	ISO 185 / ISO 1083
3	Rubber Gasket	EPDM - NBR Reinforced Rubber	Bs 2494
4	Cover	G.C.I GG 25/D.C.I GGG 50	ISO 185 / ISO 1083
5	Body	G.C.I GG 25/D.C.I GGG 50	ISO 185 / ISO 1083

DN	L	H	D
80	400	280	100
100	400	280	120
150	500	280	180
200	550	280	250
250	550	280	300
300	550	280	350

ALL DIM IN MM

DESCRIPTION :

EIC FOOT VALVES ARE FITTED ON SUCTION LINES OF PUMPS AND HAS 2 FUNCTIONS :

- 1- ACTS AS A FILTER TO PREVENT ANY UNDESIRABLE MATERIALS TO ENTER THE SUCTION LINES OF PUMPS AND THUS ENTERING THE PUMP BLADES .
- 2- ACTS AS A NON RETURN VALVE FOR THE FIRIST PRIMING OF PUMPS.

SINGLE DOOR FOOT VALVES COMES IN TWO MODELS

- A- AXIAL TYPE WHERE THE DOOR MOVES IN THE AXIAL DIRECTION .
- B- HINGED TYPE WHERE THE DOOR MOVES ON A HINGE .

THE STAINER:

MADE OF GALVANIZED STEEL SHEET OR STAILESS STEEL SHEET WHICH IS PERFORATED IN ROUND HOLES WITH TOTAL PERFERATED AREA MORE THAN DOUBLE THE INLET AREA OF THE VALVE , THUS INSURING COMPLETE MEDIA FLOW EVEN IF 50% OF THE STRAINER IS BLOCKED. THE TOTAL AREA OF THE HOLES CAN BE INCREASED ACCORDING TO CUSTOMER REQUEST.

APPLICATION:

SUITABLE FOR WATER WORKS AND SEWAGE SYSTEMS

FLANGE CONNECTIONS ACCORDING TO ISO STANDARDS 2531



GATE VALVE RISING STEM



GATE VALVE NON RISING STEM



AIR VALVE



NON RETURN VALVE



SAFETY VALVE



VERTICAL FIRE HYDRANT

ENGINEERING INDUSTRIES

For Casting & Machining of Metals